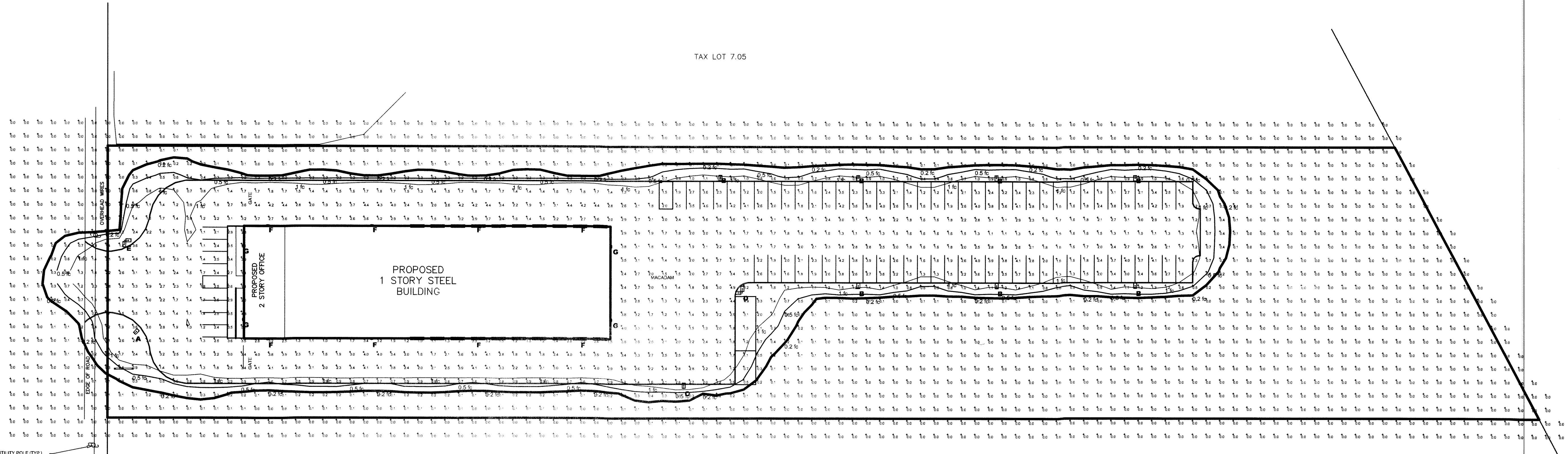


NEW JERSEY STATE HIGHWAY ROUTE 31
(60' R.O.W.)

TAX LOT 7.05

LOT 1



Symbol	Arrangement	Qty	Type	Manufacturer	Product Code	Lum. Type	Art. No.	Lum. Output	Life
□	SINGLE	1	A	LED INDUSTRIES	MINI-LED-0L-SL-2-VOLTS-20W-40-TICKMARKS-FINISH-W-4500K-S1-10-20-5-FINISH-MOUNTED AT 20' A.C.	09	09	9100	5.950
□	SINGLE	7	B	LED INDUSTRIES	MINI-LED-0L-SL-3-VOLTS-20W-40-TICKMARKS-FINISH-W-4500K-S1-10-20-5-FINISH-MOUNTED AT 20' A.C.	09	09	9400	5.950
□	SINGLE	1	C	LED INDUSTRIES	MINI-LED-0L-SL-1-VOLTS-20W-40-TICKMARKS-FINISH-W-4500K-S1-10-20-5-FINISH-MOUNTED AT 20' A.C.	09	09	8000	5.950
□	2 @ 18 DEGREE	1	D	LED INDUSTRIES	MINI-LED-0L-SL-1-VOLTS-20W-40-TICKMARKS-FINISH-W-4500K-S1-10-20-5-FINISH-MOUNTED AT 20' A.C.	09	139	9100	5.950
□	2 @ 18 DEGREE	1	E	LED INDUSTRIES	MINI-LED-0L-SL-1-VOLTS-20W-40-TICKMARKS-FINISH-W-4500K-S1-10-20-5-FINISH-MOUNTED AT 20' A.C.	09	139	8000	5.950
□	SINGLE	8	F	LED INDUSTRIES	MINI-LED-0L-SL-1-VOLTS-20W-40-TICKMARKS-FINISH-W-4500K-S1-10-20-5-FINISH-MOUNTED AT 20' A.C.	09	02	8137	5.950
□	SINGLE	4	G	LED INDUSTRIES	MINI-LED-0L-SL-1-VOLTS-20W-40-TICKMARKS-FINISH-W-4500K-S1-10-20-5-FINISH-MOUNTED AT 20' A.C.	09	02	8106	5.950

Category	Calculation	Units	Req.	Max.	Min.	Max/Min	Height
DRIVEWAYS AND PARKING LOT	Surface	Ft.	2.28	4.9	0.6	8.17	3.80

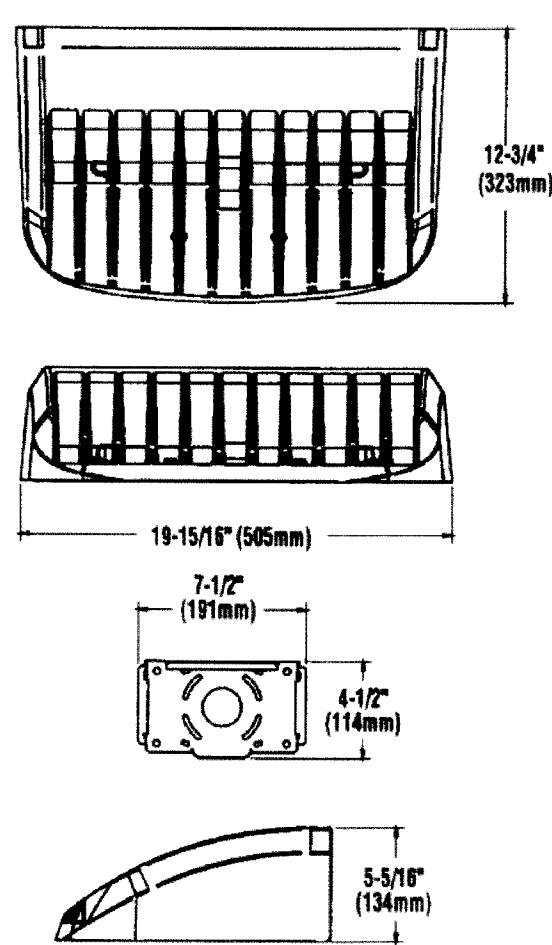
TAX LOT 7

LIGHTING PLAN
1 inch = 40 ft.



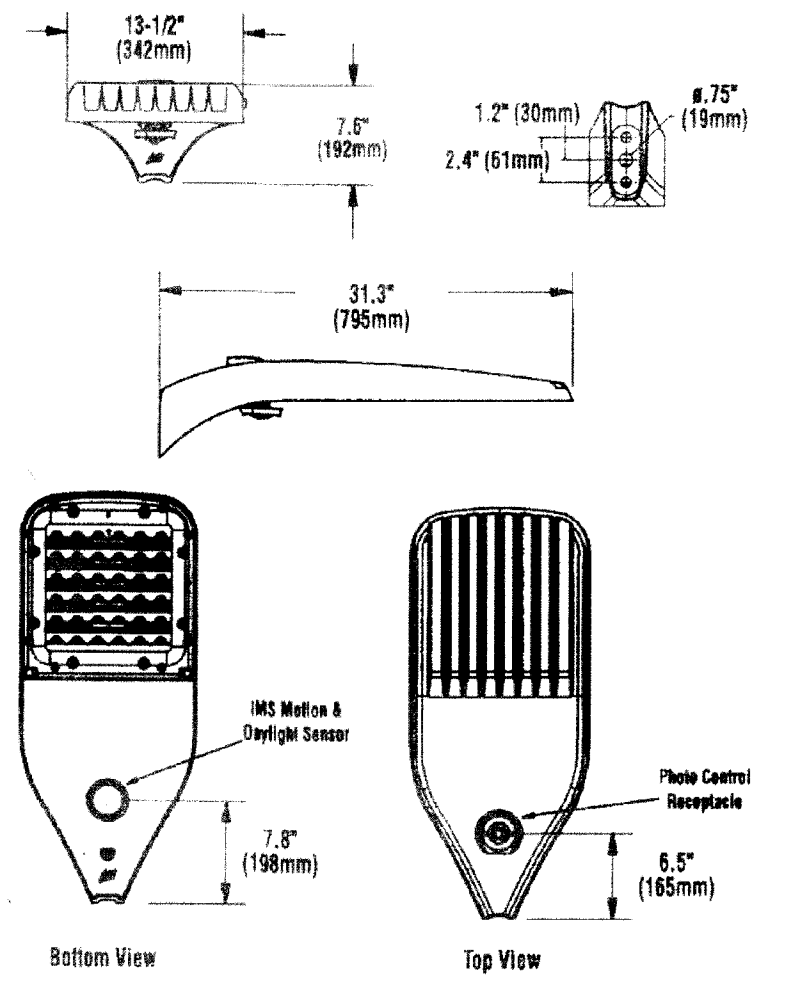
NOTE: THE VISIBLE LIGHT FROM THESE FIXTURES MUST BE NEUTRAL WHITE.

Product Dimensions

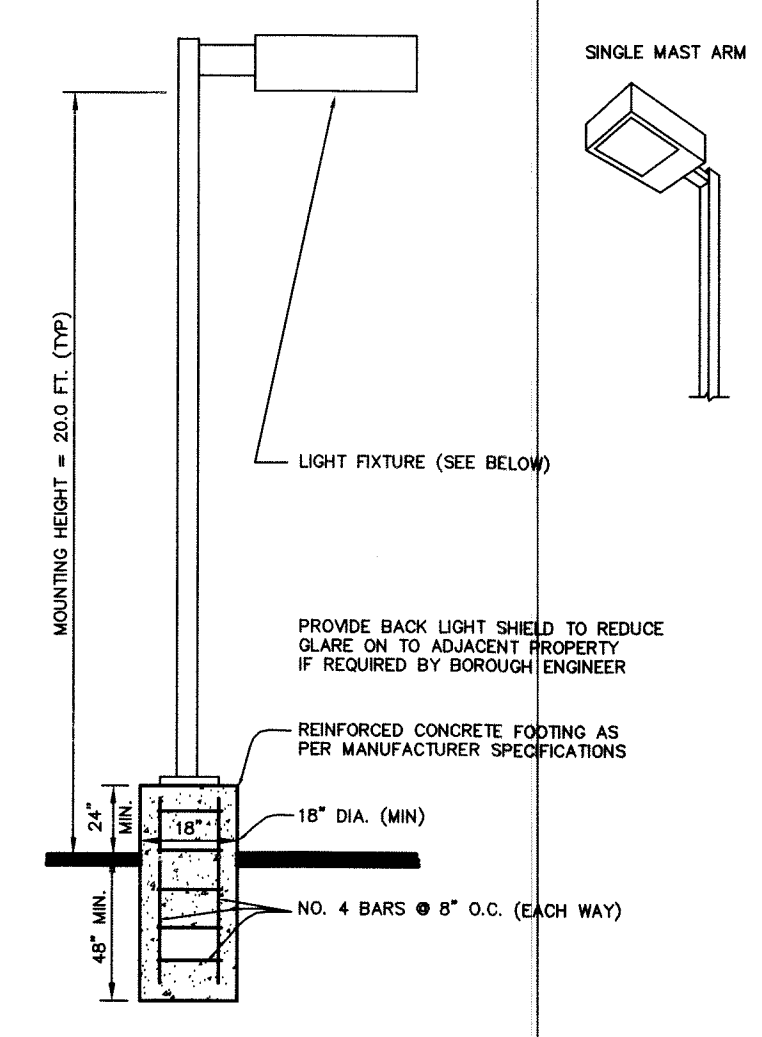


OUTDOOR WALL SCONCE DETAIL
NOT TO SCALE

Product Dimensions



OUTDOOR AREA LIGHT DETAIL
NOT TO SCALE



LIGHT FOOTING DETAIL
NOT TO SCALE

NO.	DATE	REVISION
2	01/15/21	PER BOARD
1	07/20/20	PER TOWNSHIP REVIEW

PARKER
ENGINEERING & SURVEYING P.C.
370 EAST MAIN STREET, SOMERVILLE, N.J. 08876
(908) 725-4400 - FAX (908) 722-4401

SITE PLAN
488 ROUTE 31 SOUTH
TAX MAP LOT 7.06 BLOCK 79
TOWNSHIP OF WASHINGTON
WARREN COUNTY, NEW JERSEY

STEPHEN E. PARKER
NEW JERSEY PROFESSIONAL ENGINEER LIC. NO. 36187