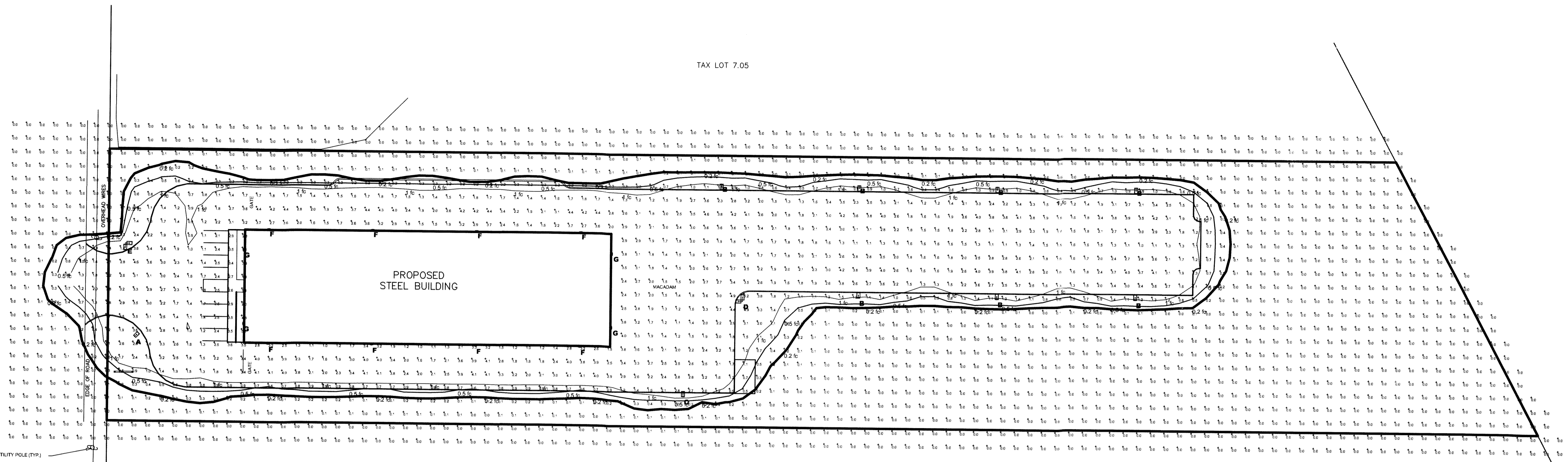


NEW JERSEY STATE HIGHWAY ROUTE 31
(80' R.O.W.)



Symbol	Arrangement	Qty	Type	Manufacturer	Product Code	Lot Units	Lot Area	Lot Volume	Lot
[Symbol]	SINGLE	1	A	LSR INDUSTRIES	MINILED-DL-SL-2 VOLTS-2M-40-TOR-AMMS-FIN-HL-W-45000-8110-20-2-FINISH (MOUNTED AT 20 FT)	89	95	9396	0.900
[Symbol]	SINGLE	7	B	LSR INDUSTRIES	MINILED-DL-SL-3 VOLTS-2M-40-TOR-AMMS-FIN-HL-W-45000-8110-20-2-FINISH (MOUNTED AT 20 FT)	94	94	9449	0.900
[Symbol]	SINGLE	7	C	LSR INDUSTRIES	MINILED-DL-SL-4 VOLTS-2M-40-TOR-AMMS-FIN-HL-W-45000-8110-20-2-FINISH (MOUNTED AT 20 FT)	89	89	8099	0.900
[Symbol]	2-BAY DOUBLE	1	D	LSR INDUSTRIES	MINILED-DL-SL-5 VOLTS-2M-40-TOR-AMMS-FIN-HL-W-45000-8110-20-2-FINISH (MOUNTED AT 20 FT)	89	138	9392	0.900
[Symbol]	2-BAY DOUBLE	1	E	LSR INDUSTRIES	MINILED-DL-SL-6 VOLTS-2M-40-TOR-AMMS-FIN-HL-W-45000-8110-20-2-FINISH (MOUNTED AT 20 FT)	89	138	8969	0.900
[Symbol]	SINGLE	2	F	LSR INDUSTRIES	MINILED-DL-SL-7 VOLTS-2M-40-TOR-AMMS-FIN-HL-W-45000-8110-20-2-FINISH (MOUNTED AT 20 FT)	82	82	8137	0.900
[Symbol]	SINGLE	2	G	LSR INDUSTRIES	MINILED-DL-SL-8 VOLTS-2M-40-TOR-AMMS-FIN-HL-W-45000-8110-20-2-FINISH (MOUNTED AT 20 FT)	82	82	8036	0.900

Calculation Summary	Calc Type	Units	Avg	Max	Min	Max/min	Angle
DRIVEWAYS AND PARKING LOT	Recessed	FC	228	43	33	817	3.90

SA LIGHTING & CONTROLS
235 STATE ROUTE 79 NORTH
MORGANVILLE, NJ 07939
DESIGNED BY: MATH-NEWBY-NEHR
(732) 986-9124
MATH@NEWBY-NEHR.COM

TAX LOT 7

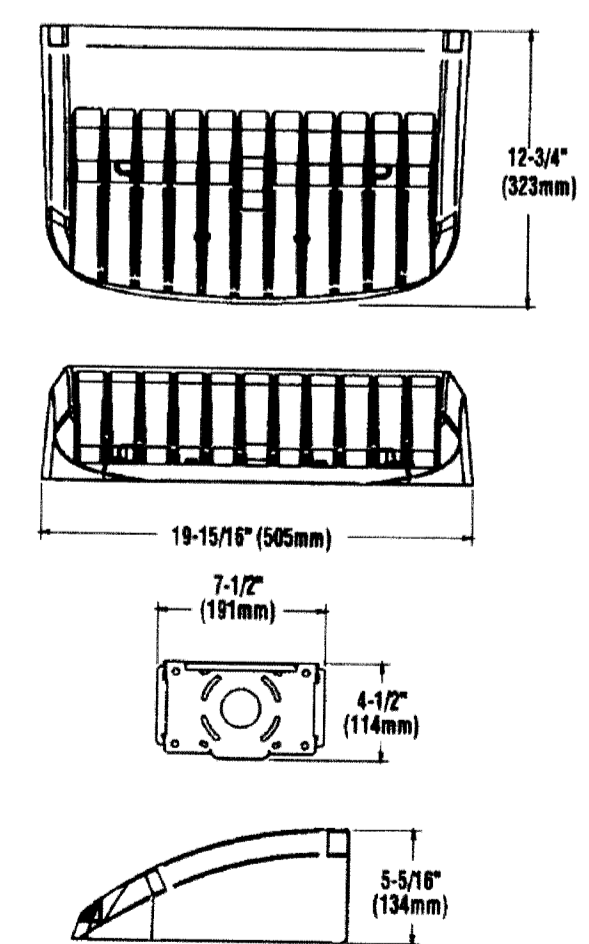
LIGHTING PLAN
1 inch = 40 ft.



GRAPHIC SCALE
(IN FEET)

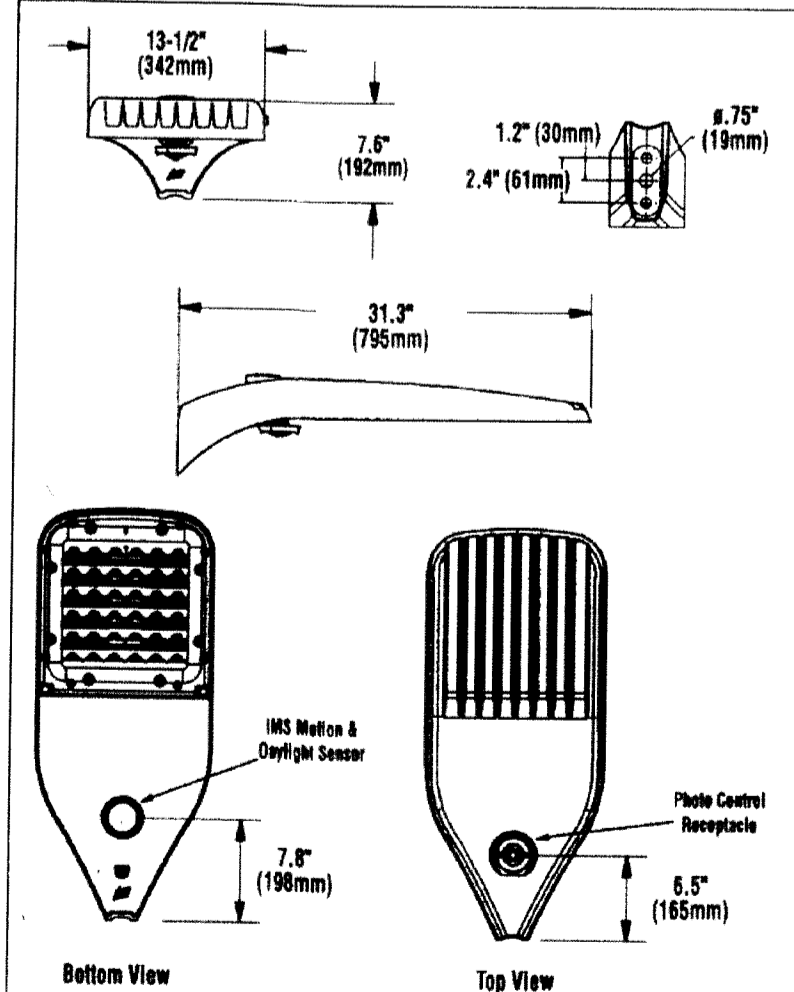
NOTE: THE VISIBLE LIGHT FROM THESE FIXTURES MUST BE NEUTRAL WHITE.

Product Dimensions

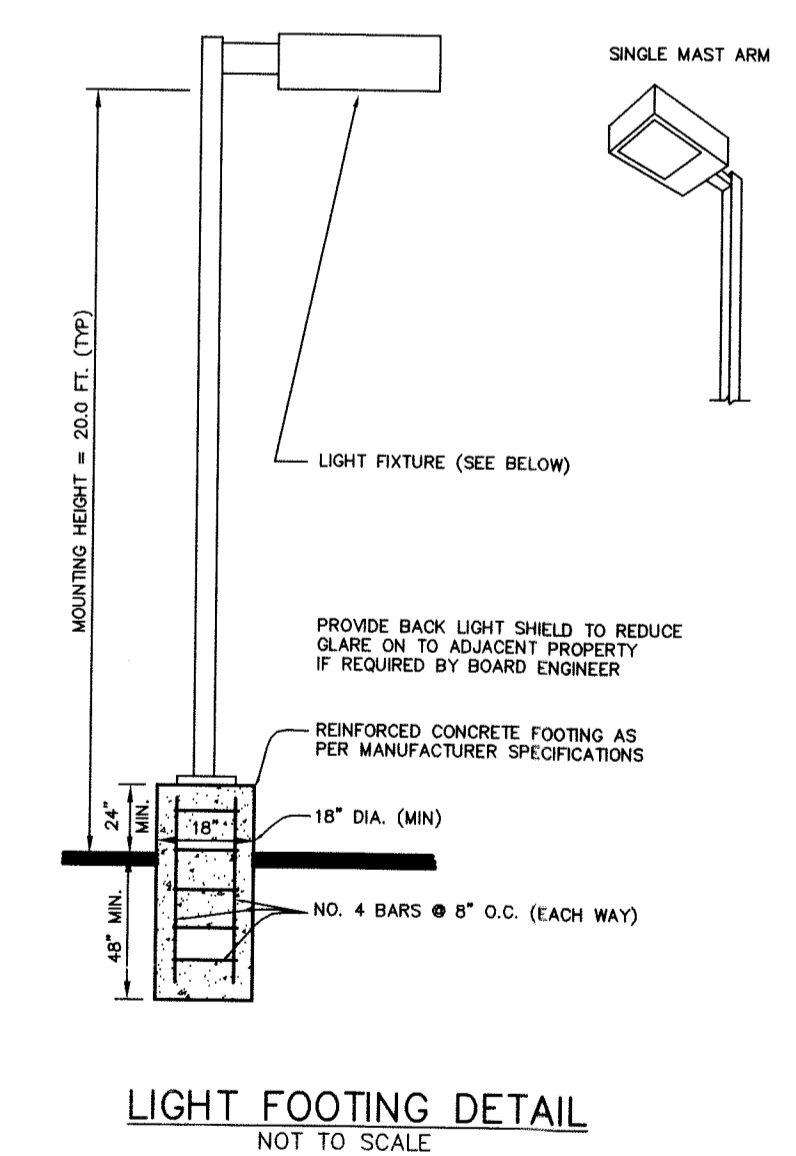


OUTDOOR WALL SCONCE DETAIL
NOT TO SCALE

Product Dimensions



OUTDOOR AREA LIGHT DETAIL
NOT TO SCALE



LIGHT FOOTING DETAIL
NOT TO SCALE

NO.	DATE	REVISION
3	02/03/21	PER BOARD
2	01/15/21	PER BOARD
1	07/20/20	PER TOWNSHIP REVIEW

PARKER
ENGINEERING & SURVEYING P.C.
370 EAST MAIN STREET, SOMERVILLE, N.J. 08876
(908) 725-4400 FAX (908) 722-4401

SITE PLAN
488 ROUTE 31 SOUTH
TAX MAP LOT 7.05 BLOCK 79
TOWNSHIP OF WASHINGTON
WARREN COUNTY, NEW JERSEY

STEPHEN E. PARKER
NEW JERSEY PROFESSIONAL ENGINEER LIC. NO. 36187

DRAWN BY PJD	CHECKED BY SEP	SCALE AS NOTED	DATE 04-15-19	FILE 13211	SHEET 7 OF 9
-----------------	-------------------	-------------------	------------------	---------------	-----------------