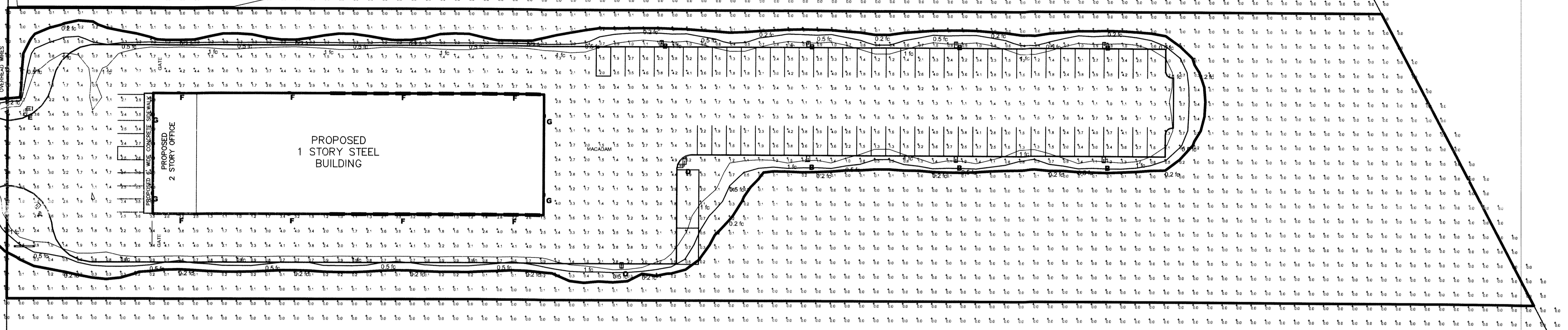
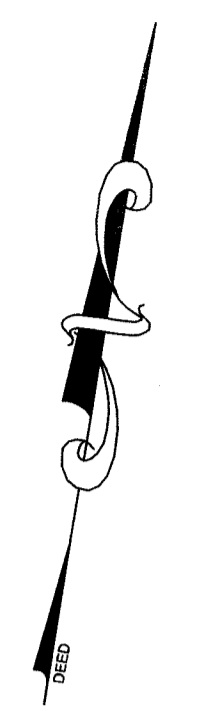


NEW JERSEY STATE HIGHWAY ROUTE 31
(60' R.O.W.)

TAX LOT 7.05

LOT 1



System	Arrangement	Qty	Type	Manufacturer	Product Code	Lum. Wtr.	Am. Wtr.	Lum. Lumens	LLF
1	SINGLE	1	A	LS INDUSTRIES	MINI-LED-OR-GL-2-VOLTS-2M-40-TICR-MASS-FINISH-4500K-5110-20-FINISH (MOUNTED AT 20' AFD)	99	99	5056	0.950
2	SINGLE	7	B	LS INDUSTRIES	MINI-LED-OR-GL-2-VOLTS-2M-40-TICR-MASS-FINISH-4500K-5110-20-FINISH (MOUNTED AT 20' AFD)	94	94	9449	0.950
3	SINGLE	1	C	LS INDUSTRIES	MINI-LED-OR-GL-1-VOLTS-2M-40-TICR-MASS-FINISH-4500K-5110-20-FINISH (MOUNTED AT 20' AFD)	89	89	6069	0.950
4	2 @ 90 DEGREE	1	D	LS INDUSTRIES	MINI-LED-OR-GL-1-VOLTS-2M-40-TICR-MASS-FINISH-4500K-5110-20-FINISH (MOUNTED AT 20' AFD)	89	108	6382	0.950
5	2 @ 90 DEGREE	1	E	LS INDUSTRIES	MINI-LED-OR-GL-1-VOLTS-2M-40-TICR-MASS-FINISH-4500K-5110-20-FINISH (MOUNTED AT 20' AFD)	89	108	6389	0.950
6	SINGLE	8	F	LS INDUSTRIES	MINI-LED-OR-GL-40-VOLTS-FINISH-MASS (MOUNTED AT 15' AFD)	82	82	8137	0.950
7	SINGLE	4	G	LS INDUSTRIES	MINI-LED-OR-GL-40-VOLTS-FINISH-MASS (MOUNTED AT 15' AFD)	82	82	8136	0.950

Calculation Summary	Code Type	Units	Avg	Max	Min	Max/Min	Angle
DRIVEWAYS AND PARKING LOT	Standard	FC	2.28	4.3	0.5	8.17	3.0C

SEE LIGHTING & CONTROLS
200 EXACT ROUTE 79 NORTH
MORGANTOWN, NJ 07931
DESIGNED BY: MARY KIEWITZ INC.
(732) 566-0100 • 254
MATERIALS: RELIANT LIGHTING.COM

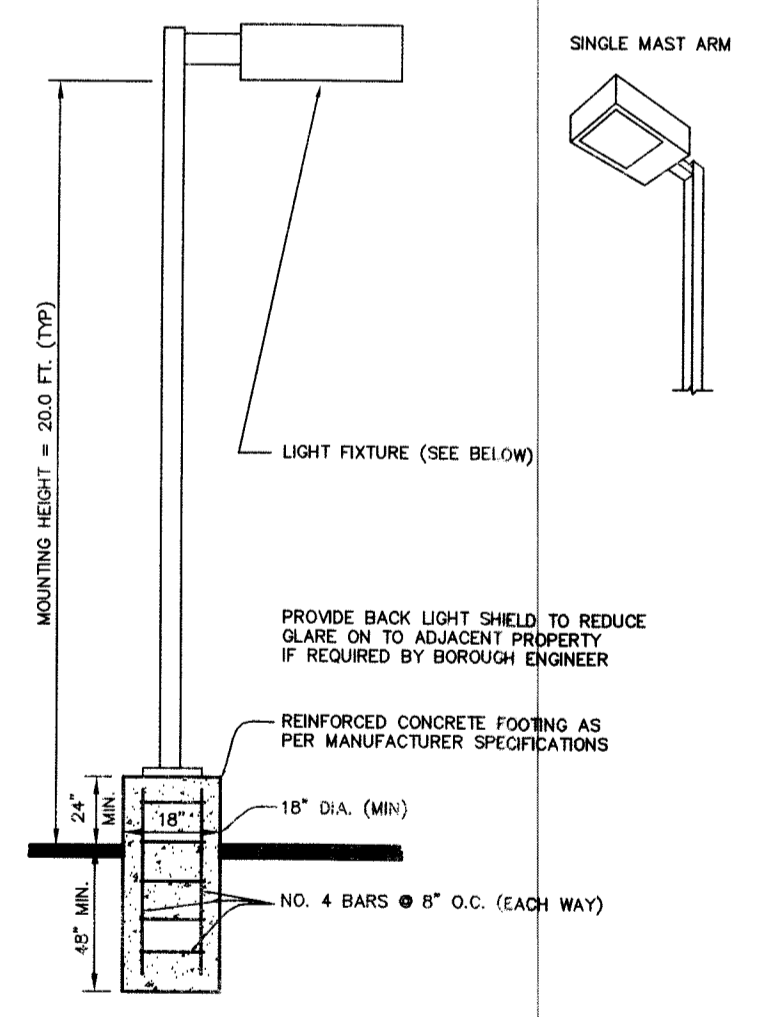
TAX LOT 7

LIGHTING PLAN

1 inch = 40 ft.

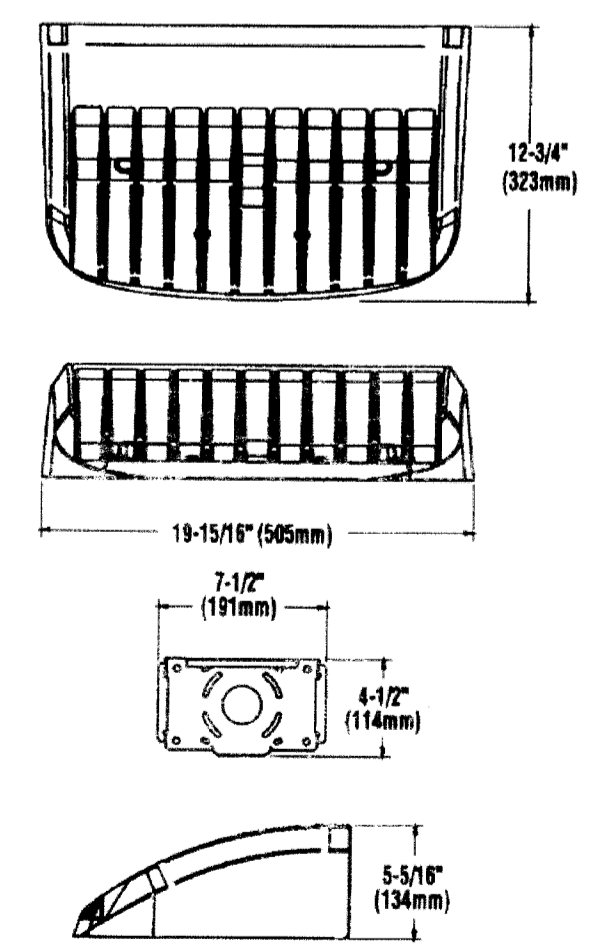


GRAPHIC SCALE
(IN FEET)



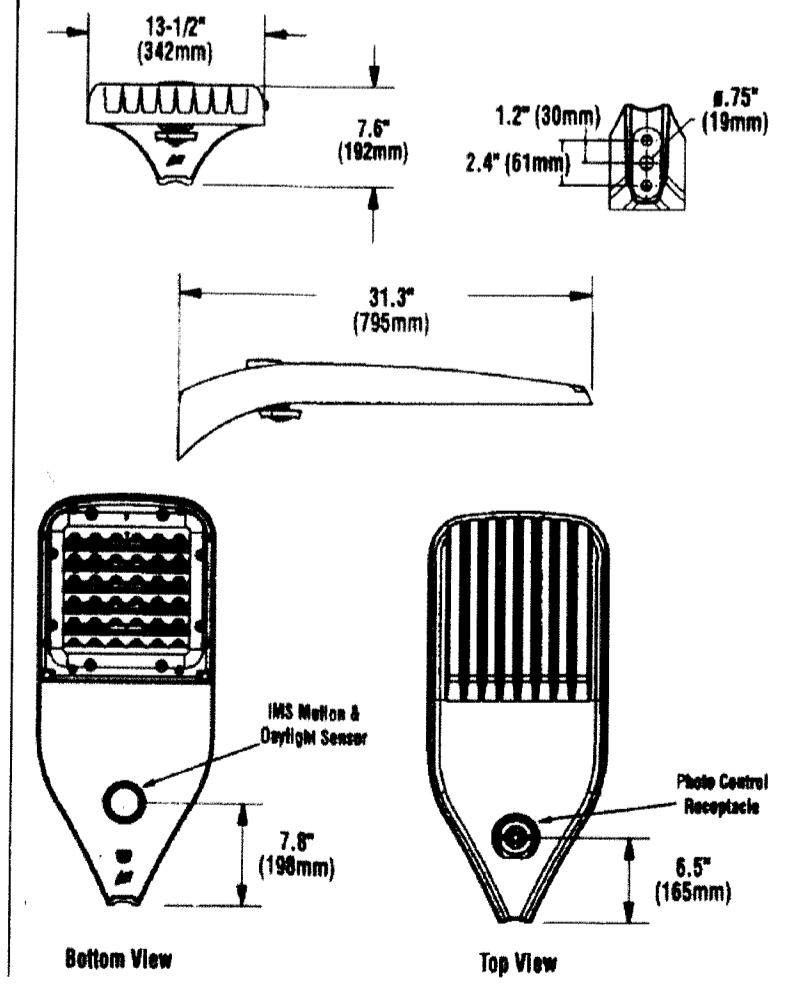
LIGHT FOOTING DETAIL
NOT TO SCALE

Product Dimensions



OUTDOOR WALL SCONCE DETAIL
NOT TO SCALE

Product Dimensions



OUTDOOR AREA LIGHT DETAIL
NOT TO SCALE

NO.	DATE	REVISION
1	07/20/20	PER TOWNSHIP REVIEW

PARKER
ENGINEERING & SURVEYING P.C.
370 EAST MAIN STREET, SOMERVILLE, N.J. 08876
(908) 725-4400 - FAX (908) 722-4401

SITE PLAN
488 ROUTE 31 SOUTH
TAX MAP LOT 7.06 BLOCK 79
TOWNSHIP OF WASHINGTON
WARREN COUNTY, NEW JERSEY

STEPHEN E. PARKER
NEW JERSEY PROFESSIONAL ENGINEER LIC. NO. 36187

DRAWN BY PJD	CHECKED BY SEP	SCALE AS NOTED	DATE 04-15-19	FILE 13211	SHEET 7 OF 9
-----------------	-------------------	-------------------	------------------	---------------	-----------------